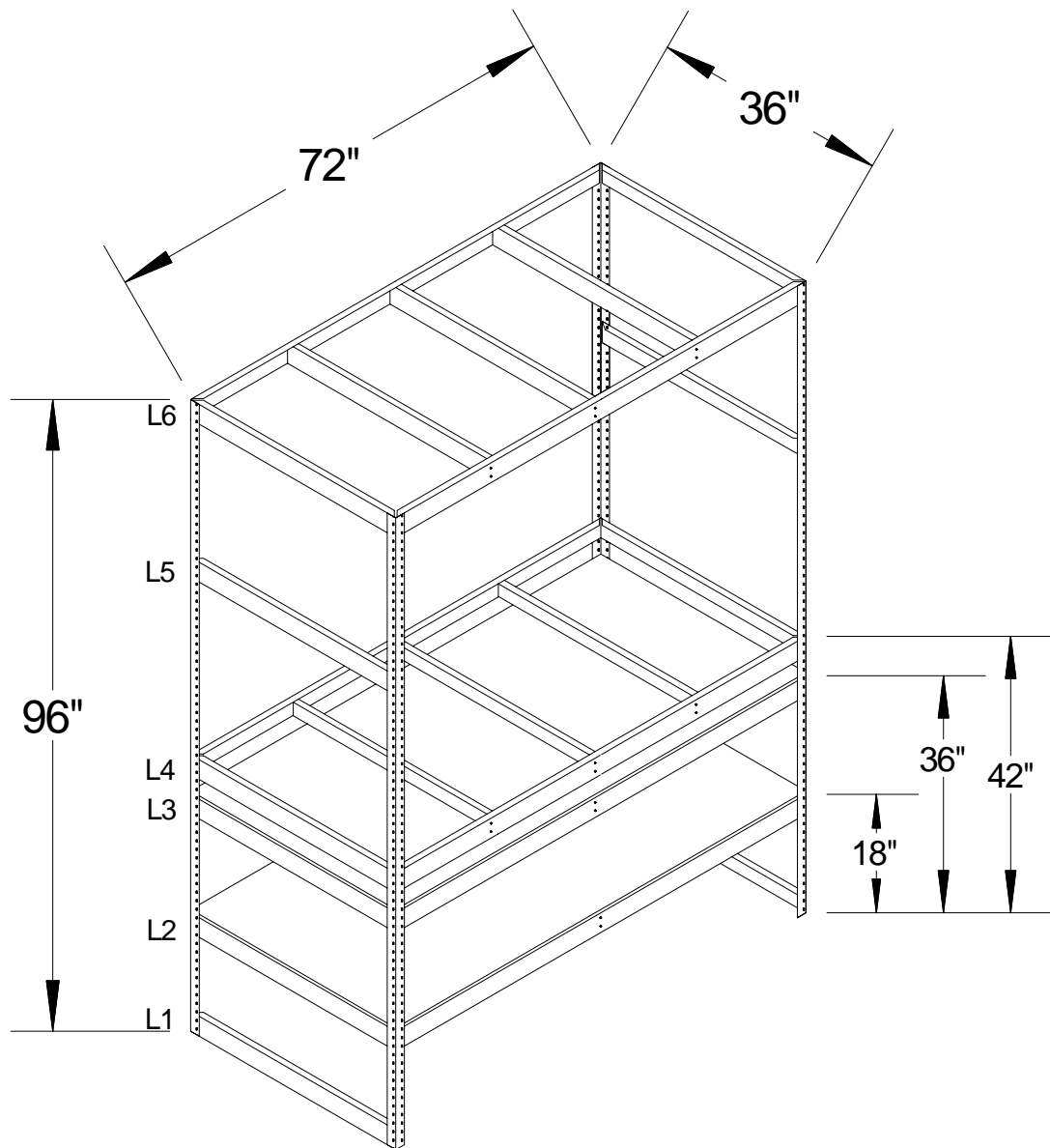


MUFFLER RACK

ASSEMBLY INSTRUCTIONS

MODEL #3350 - MUFFLER RACK



MODEL #3350 MUFFLE & PIPE STORAGE RACK
 READ RIVET RACK BASIC ASSEMBLY INSTRUCTIONS BEFORE ASSEMBLING

1. Construct Side Upright Side Frame Assemblies
 - Use AnglePosts for end of rows and Tee Posts for Mid Sections.
- Install side Double Rivet Beams at 5 levels (Skip Level 4) per drawing.
2. Using two of the pre-assembled Side Frames, install front & back Double Rivet Beams at levels 2, 3 & 6 only. (Use 2 Angle assemblies for single unit, Angle & Tee to start a row)
3. Install Center Support Tie with 4 bolts & nuts to levels 2, 3.
4. Drop wood deck onto levels 2 & 3 then install Double Rivet Beams inverted (angle down toward deck) on front, back and sides of level 4.
5. Install 3 Support Ties inverted (angle down toward deck) on level 4.
6. Install 3 Support Ties (angle up) on level 6 w/4 bolts & nuts each.

FOR QUESTIONS OR HELP WITH INSTALLATION, CALL: PREFERRED EQUIPMENT @ 1-800-711-8698