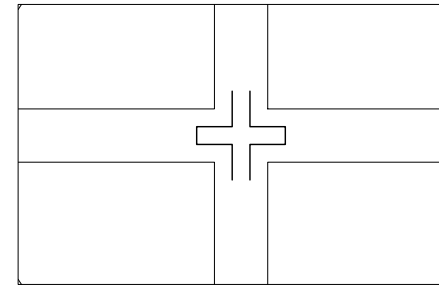


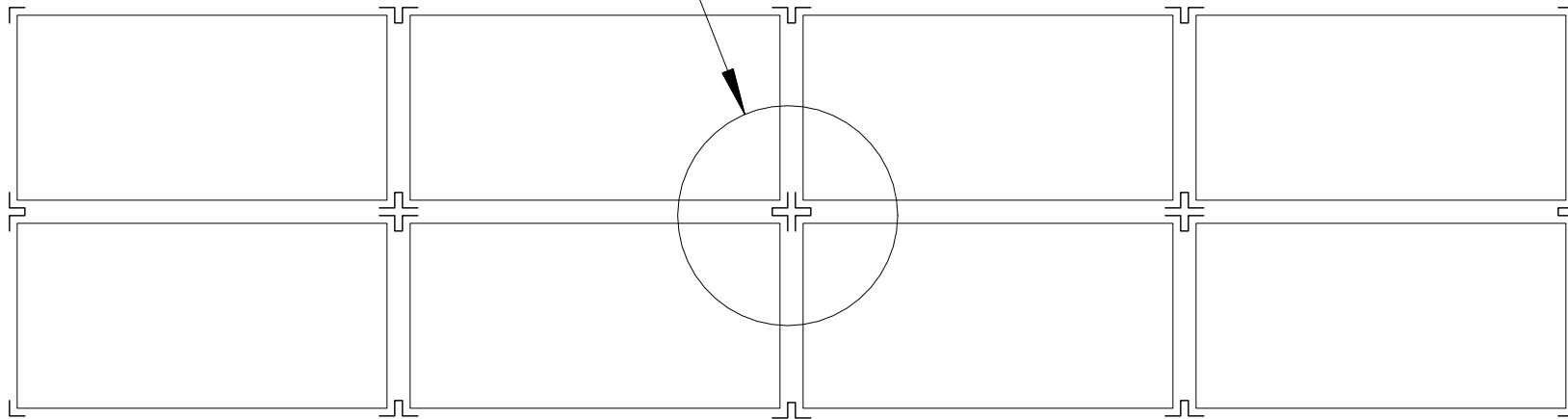
# RIVET RACK DOUBLE ROW INSTALLATION

USING TEE POSTS TO SECURE  
DOUBLE (BACK TO BACK) ROWS TOGETHER

TEES CAN BE REVERSED AT  
EVERY OTHER INTERMEDIATE  
LOCATION TO IMPROVE THE  
LATERAL BRACING OF THE ROW  
(ESPECIALLY IN MEZZANINES)



ALTERNATE POST DETAIL



RIVET RACK BACK-TO-BACK ROWS	
DATE	SCALE NTS
PREFERRED EQUIPMENT RESOURCE 800-711-8698 HOME@PREFEQ.COM	