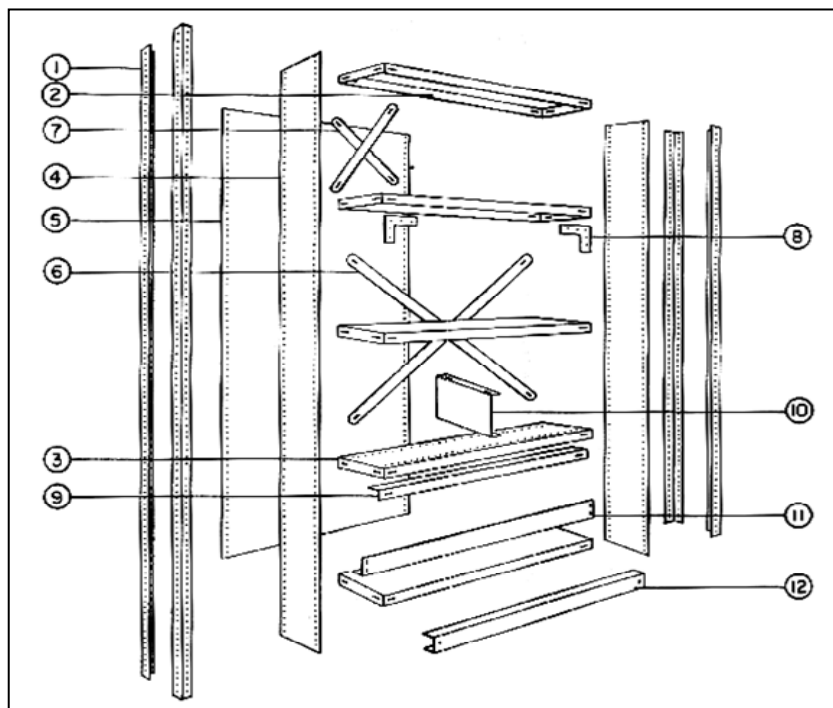


SHELVING INSTALLATION INSTRUCTIONS – NUT & BOLT STYLE

You will need 2 people, a screwdriver, a wrench, a square, and a level.

1. Open packages and verify components with the packing list. Hardware is between shelves OR in separate box.
2. Lay 2 Upright Offset Posts or a pre-assembled Solid Side Panel on the floor or a bench. The *longer leg* of an Offset Post goes on the Floor and against the Side of the Shelf. (If you are using Bolt-In Solid Side Panels, bolt the panel to the inside of the longer leg of the Offset Posts first, using 4 bolts per post.)
Note: Install all Nuts & Bolts but do NOT tighten fully until instructed to tighten them.
3. Bolt the top shelf to the two posts (usually in the top post hole) by holding the shelf vertically while bolting the post to one Front Corner of the shelf and repeating for the other post through one rear corner of the shelf. Repeat for the Bottom Shelf (can be flush with the Bottom of the Post or installed 2" – 3" from the bottom).
4. Lay 2 Offset Posts (or Pre-Assembled Solid Side Panels) on top of the 2 shelves and bolt the posts to the front corner of the top and bottom shelves in the front and in the rear.
5. Make the unit square on the floor or bench and bolt the longer "X" Back Brace using 4 Nuts & Bolts (or Solid Back Panels w/8 bolts per panel) onto the back (longer side of the shelf) in middle of the unit.
(Use 2 X-Braces for 10' high)
6. Bolt the shorter "X" Side Brace (**2 X-Braces for 10' high units**) on the side of the unit (or use Solid Side Panels).
7. You can now stand the unit up on the floor. The shelving unit may be **unstable** or "floppy" at this point. Using your level on the front and the sides, make the unit Square and Plumb (vertical).
 Now, **Tighten all the Nuts & Bolts** while holding the unit Square and Plumb.
8. If this is to be a single, Stand Alone unit, install the other short "X" Side Brace and Tighten the Nuts and Bolts.
9. If this is part of a longer row, assemble another unit, following the instructions above and place the 2 units next to each other and join them by bolting a short "X" Side Brace shared between them.
10. Install the rest of the shelves at the desired locations using 4 Nuts & Bolts per shelf, Tighten ALL Nuts & Bolts.



COMPONENT IDENTIFICATION

1. Upright Offset Post
2. Standard Shelf
3. Perforated Shelf
4. Solid Side Panel
5. Solid Back Panel
6. Back Sway Brace
7. Side Sway Brace

OPTIONAL COMPONENTS

8. Corner Angle Sway
9. Reinforcement Angle
10. Shelf Divider
11. Bin Front
12. Base Strip